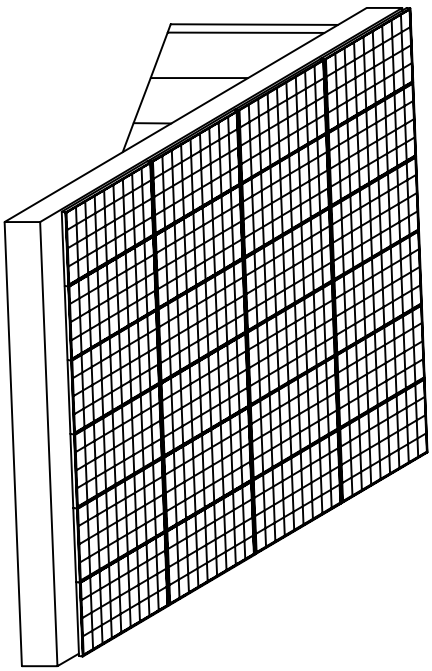


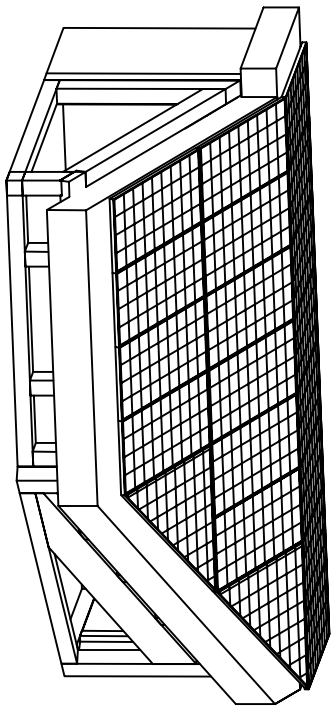
B 2

3000 lbs.



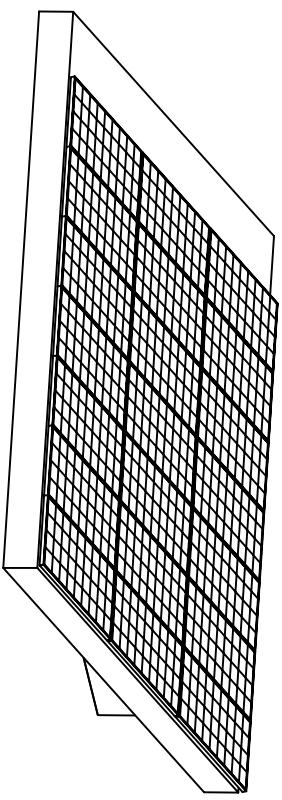
A 2

2900 lbs.



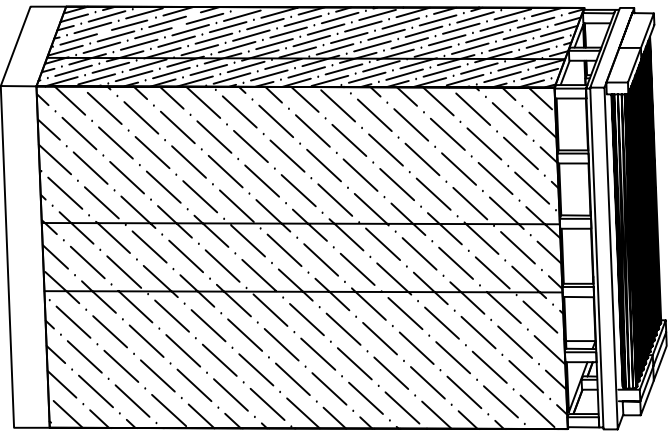
C 2

850 lbs.



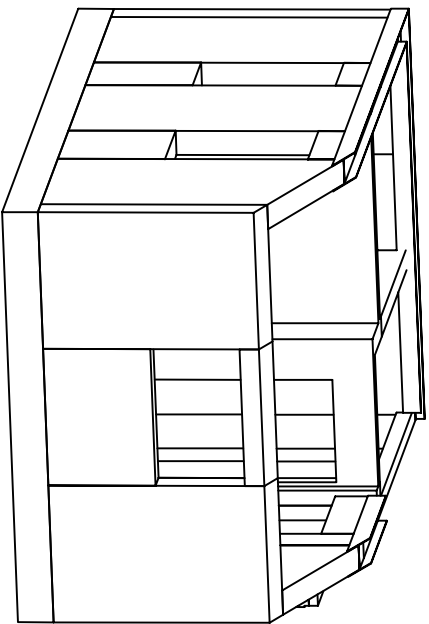
T P

3000 lbs.



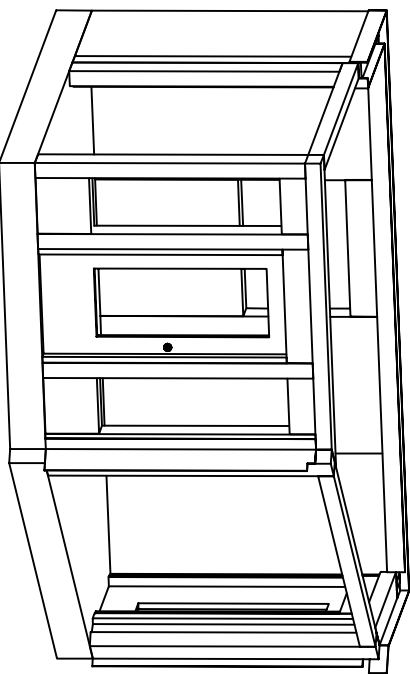
B 1

13000 lbs.



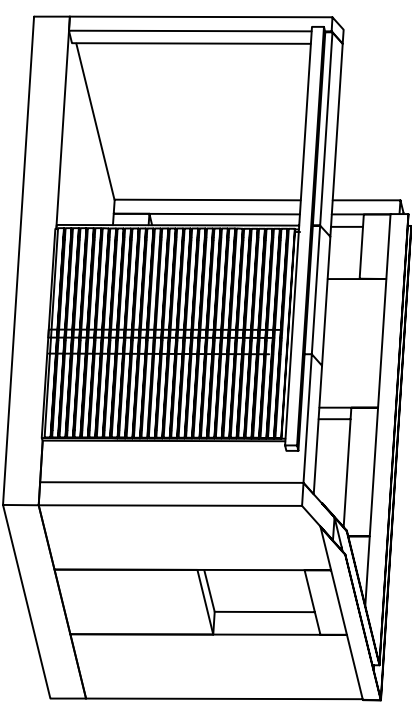
A 1

11000 lbs.



C 1

13150 lbs.



Scale: 3/16" = 1'

ROUGH DIM & WEIGHTS

Solar Decathlon House
University of Colorado

BASE +

Checked
Date 5/13/02

Scale NTS

Drawn A&P&E

Job Decathlon

Sheet

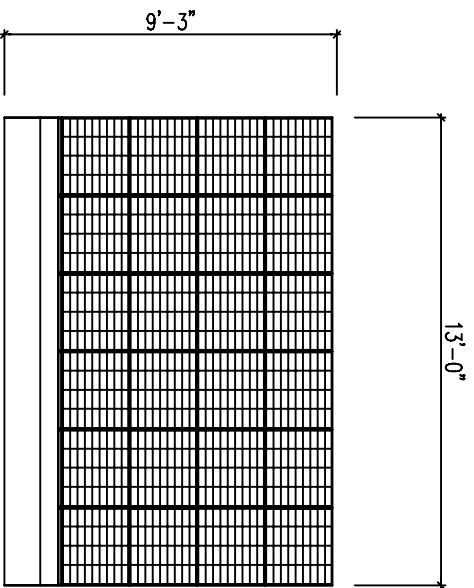
A 14

of Sheets

View From South

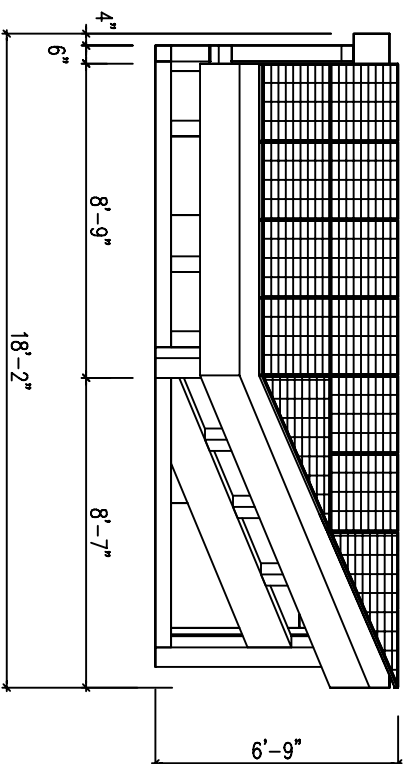
B2

3000 lbs.



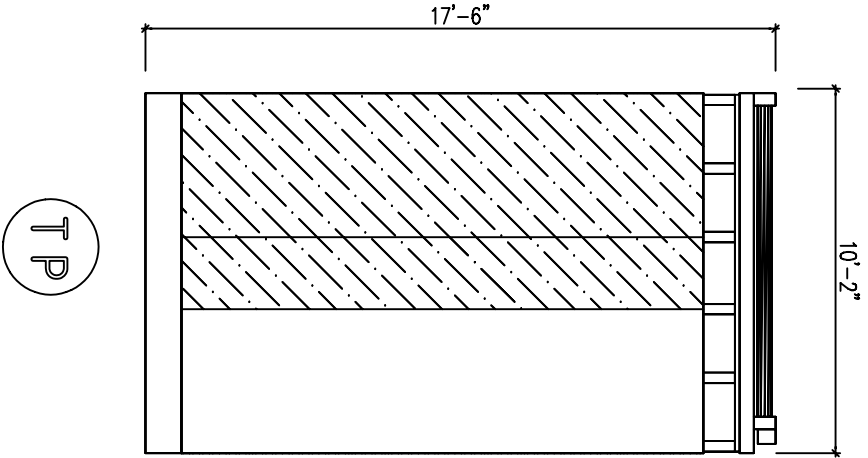
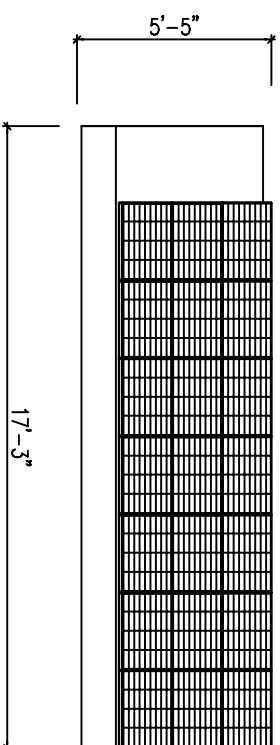
A2

2900 lbs.



C2

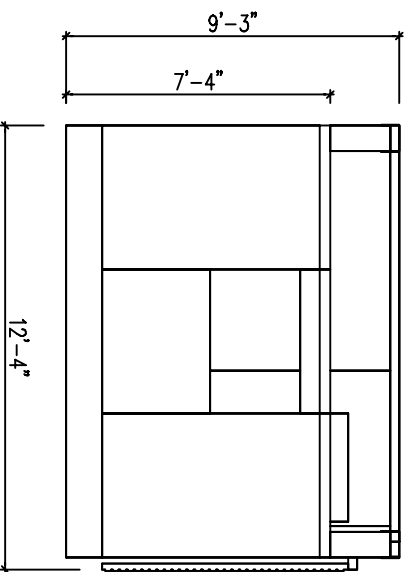
850 lbs.



3000 lbs.

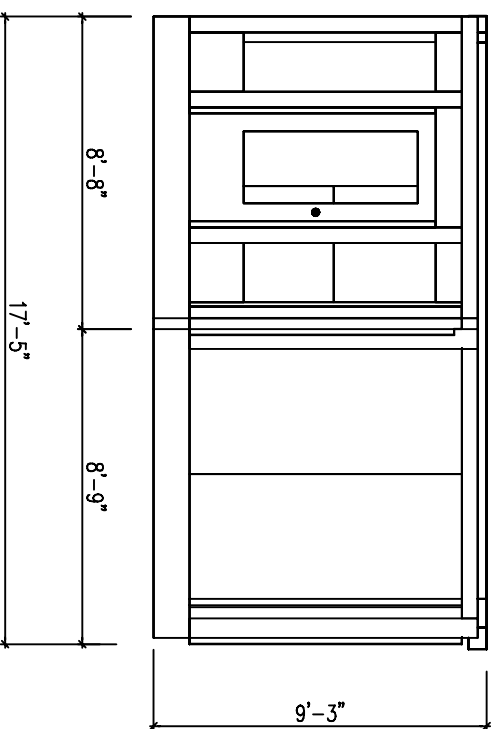
B1

13000 lbs.



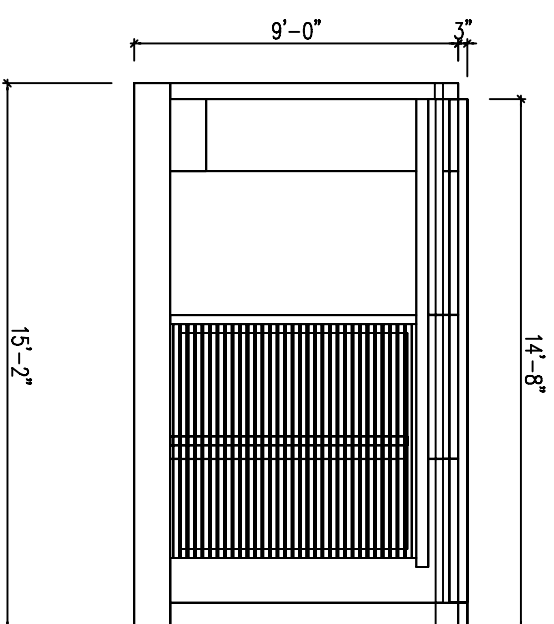
A1

11000 lbs.



C1

13150 lbs.



Scale: 3/16" = 1'

REVISIONS BY

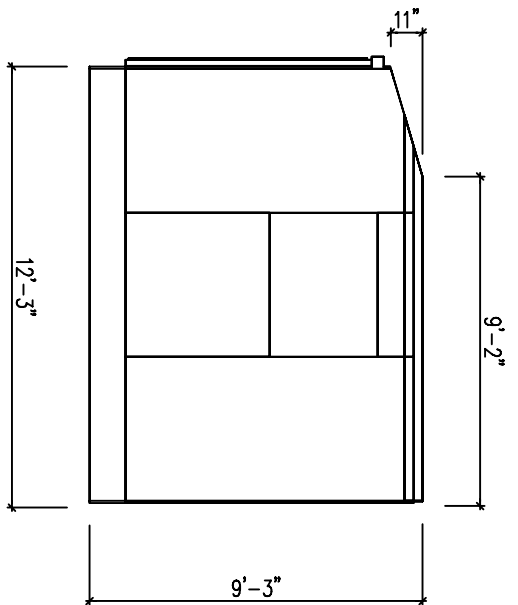
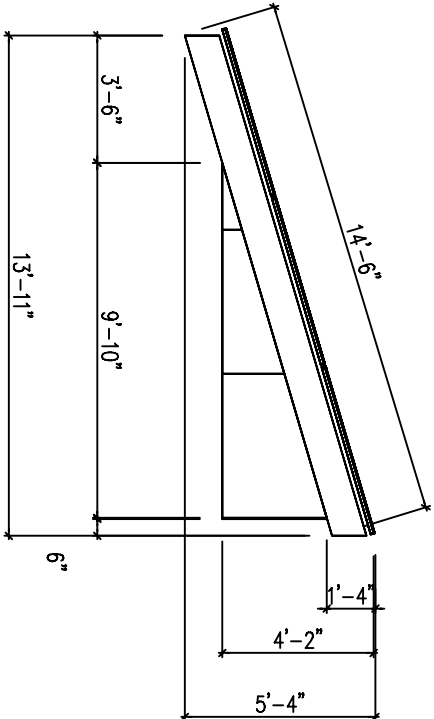
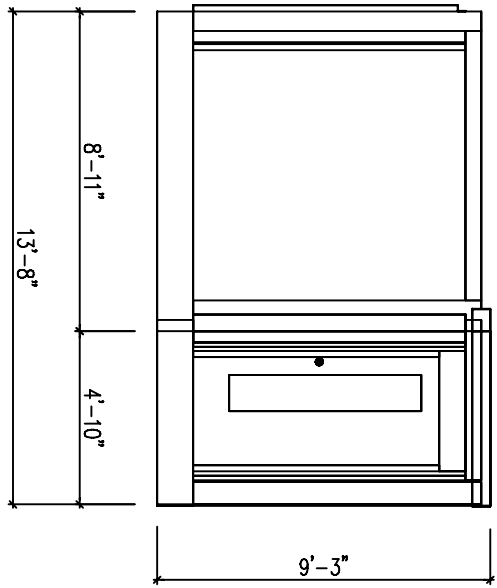
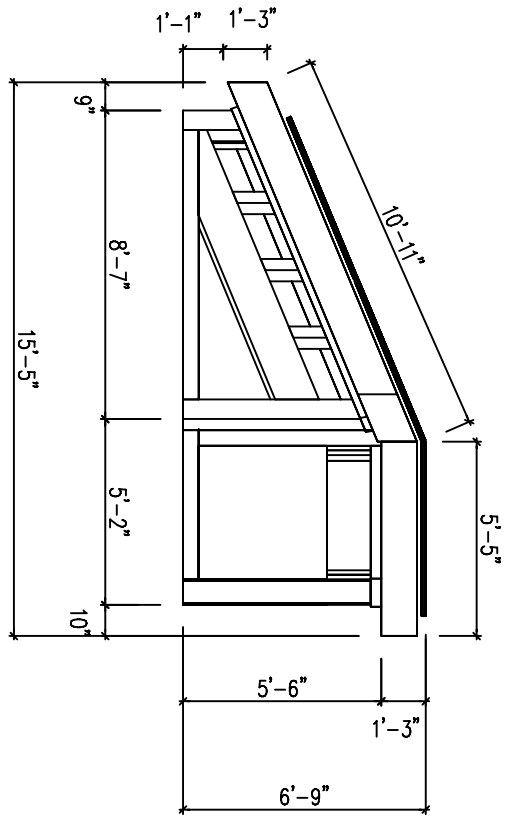
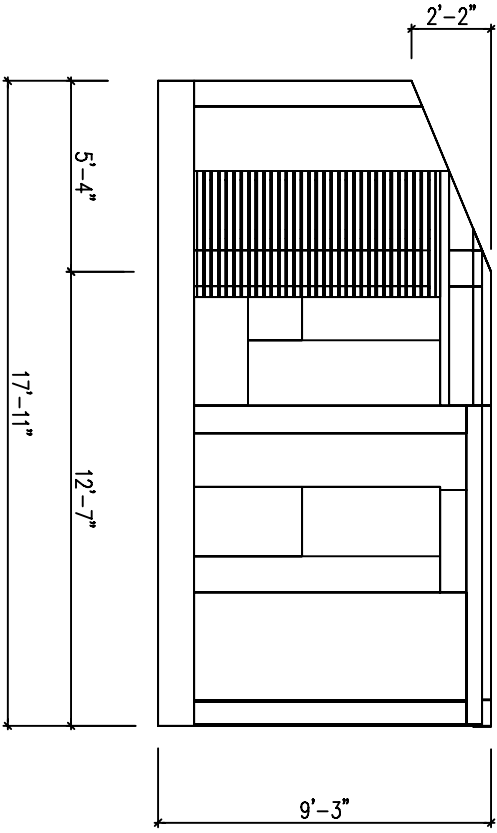
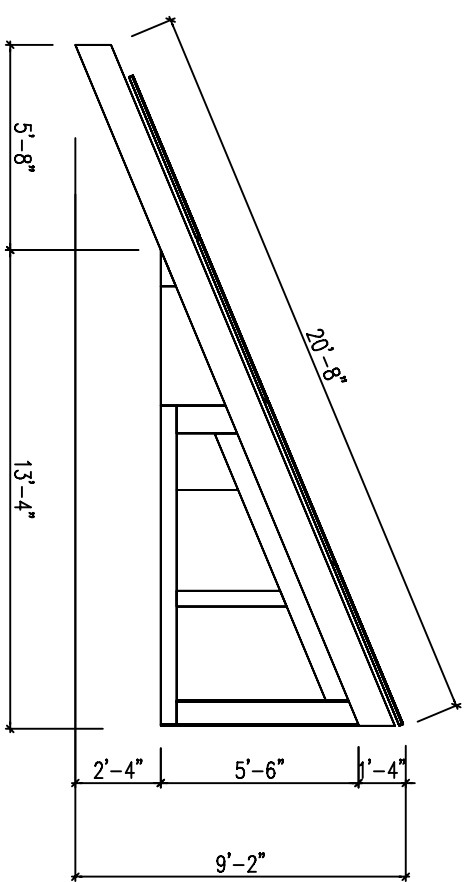
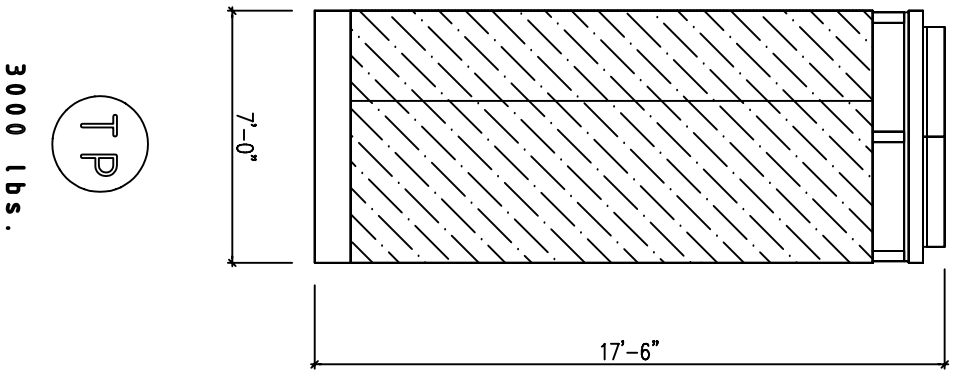
BASE +

Solar Decathlon House
University of Colorado

Front Elevations

Checked	
Date	7/18/02
Scale	NTS
Drawn	A&P&E
Job	Decathlon
Sheet	A15
Of	Sheets

View From East



Scale: 3/16" = 1'