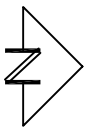


9 1/2" MICROLAM FLOOR JOISTS
SPACED AT 8" OC

9 1/2" TJI 250 FLOOR JOISTS
SPACED AT 16" OC (TYP)

1 4 T9 HANGERS (TYP)

3 1/2" x 9 1/2" TRUSSJOIST PARALLAM RIM BEAMS (TYP)



FLOOR FRAMING PLAN

SCALE: 1/4" = 1' - 0"

REVISIONS BY

BASE +

Solar Decathlon House
University of Colorado

FLOOR FRAMING PLAN

Checked

Date 9/26/02

Scale 1/4" = 1'

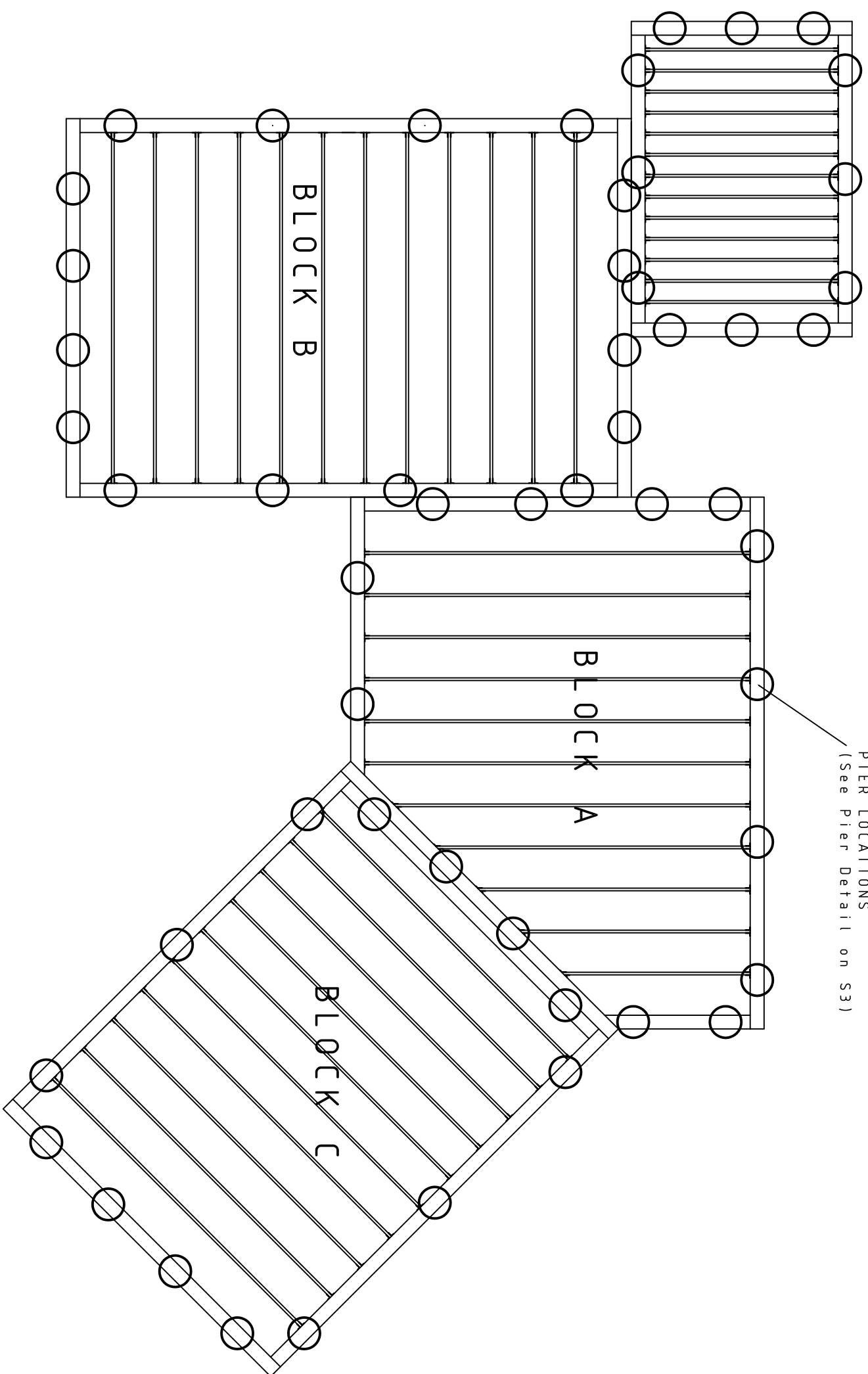
Drawn A&P&E

Job Decathlon

Sheet S1

of Sheets

PIER LOCATIONS
(See Pier Detail on S3)



DEAD LOADS:

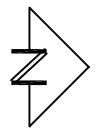
| | | |
|-----|---------------|-----------|
| A - | 12,800 | STRUCTURE |
| | 1,100 | FIXTURES |
| | <u>13,900</u> | TOTAL |
| B - | 15,400 | STRUCTURE |
| | 600 | FIXTURES |
| | <u>16,000</u> | TOTAL |
| C - | 13,400 | STRUCTURE |
| | 600 | FIXTURES |
| | <u>14,000</u> | TOTAL |

NOTES:

WORST CASE W/ MAX LIVE LOADS USING
 1800# DESIGN LOAD PER PIER
 (ULTIMATE LOAD IS 3600#)

FOUNDATION PLAN

SCALE: 1/4" = 1' - 0"



BASE +

Solar Decathlon House
 University of Colorado

FOUNDATION PLAN

Checked

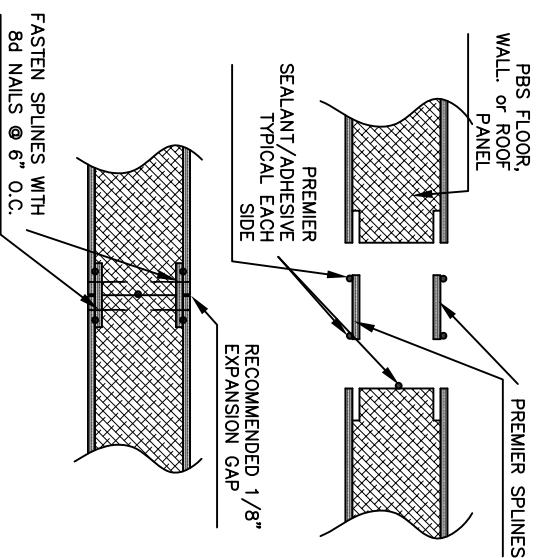
Date 9/26/02

Scale 1/4" = 1'

Drawn AS&PE

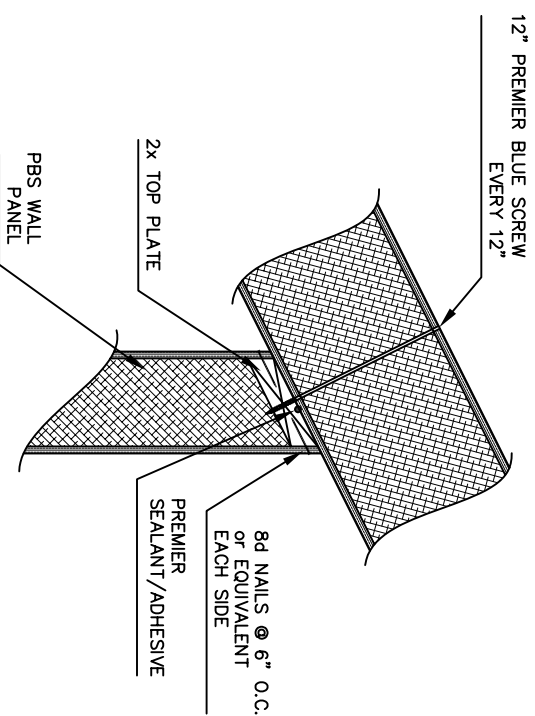
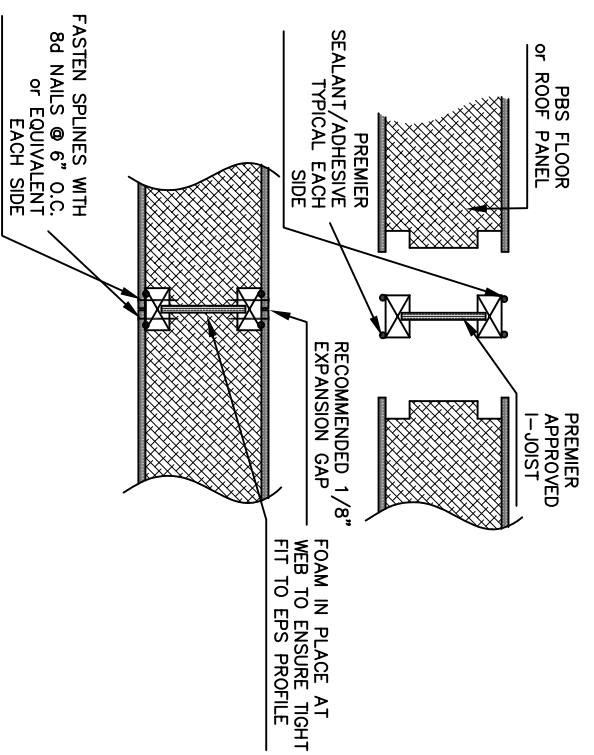
Job Decathlon

Sheet
S 2
 of 2 Sheets

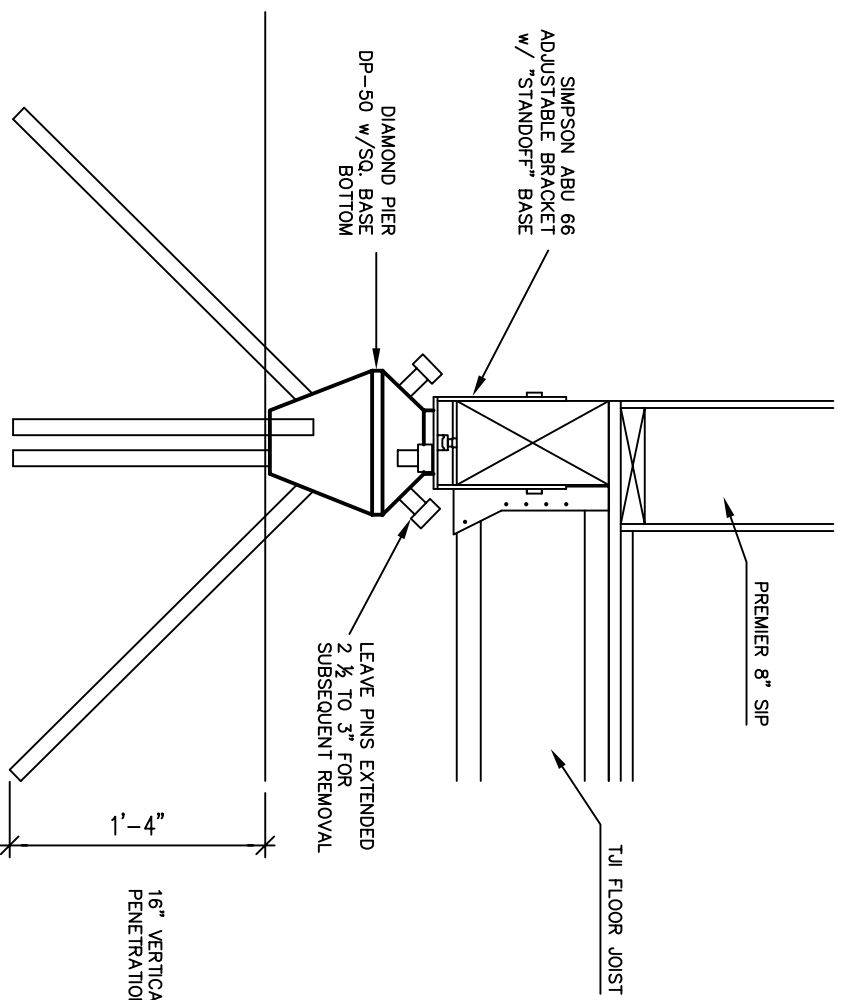


WALL SIP SPLINE CONNECTION

ROOF SIP I-JOIST CONNECTION



ROOF BEARING ON WALL



FLOOR AND PIN FOUNDATION DETAIL

STRUCTURAL DETAILS

SCALE: 1" = 1'-0"

| REVISIONS | BY |
|-----------|----|
| | |
| | |
| | |

BASE +

Solar Decathlon House
University of Colorado

STRUCTURAL DETAILS

Checked

Date 9/26/02

Scale 1" = 1'-0"

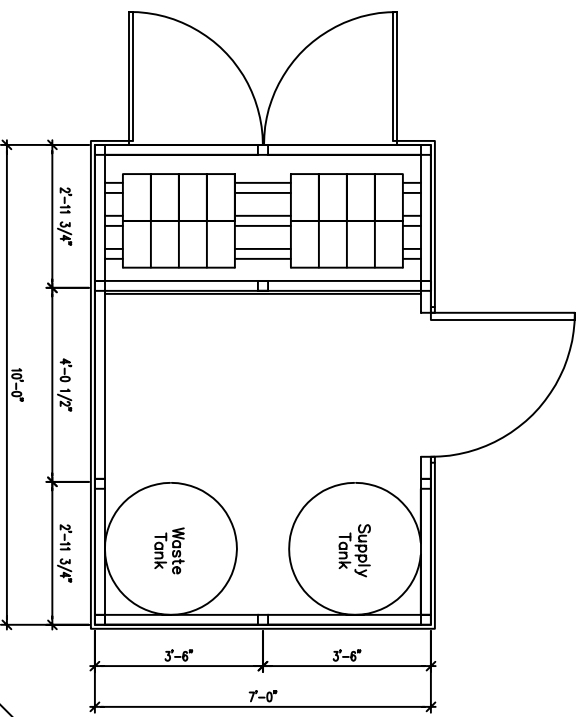
Drawn A&P&E

Job Decathlon

Sheet

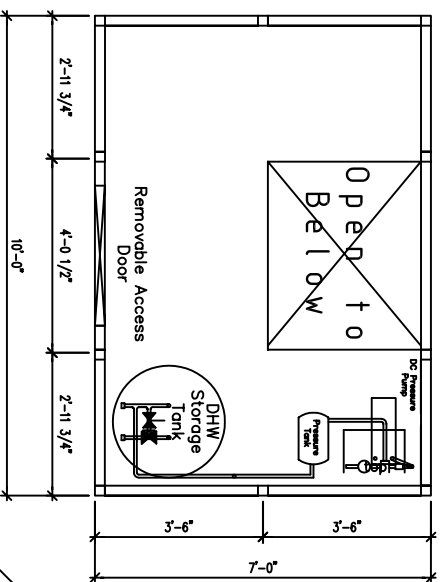
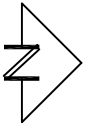
S 3

of Sheets



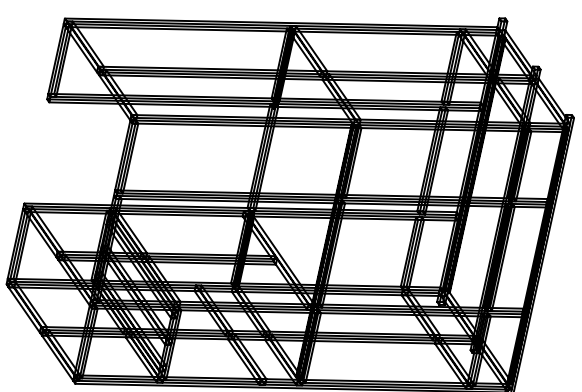
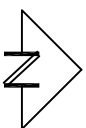
LOWER PLAN

SCALE: 1/4" = 1' - 0"



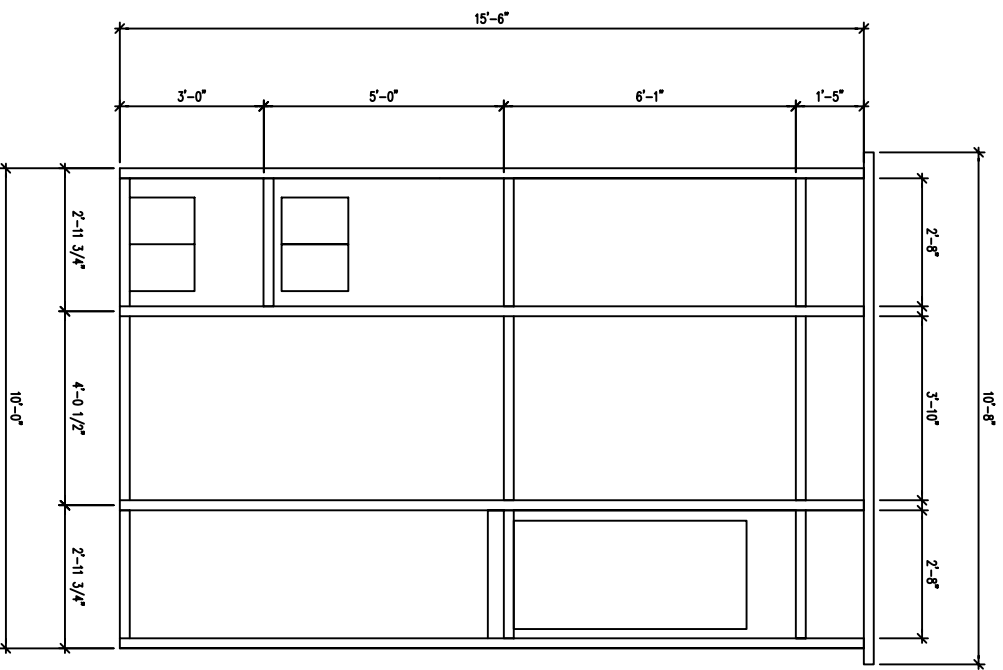
UPPER PLAN

SCALE: 1/4" = 1' - 0"



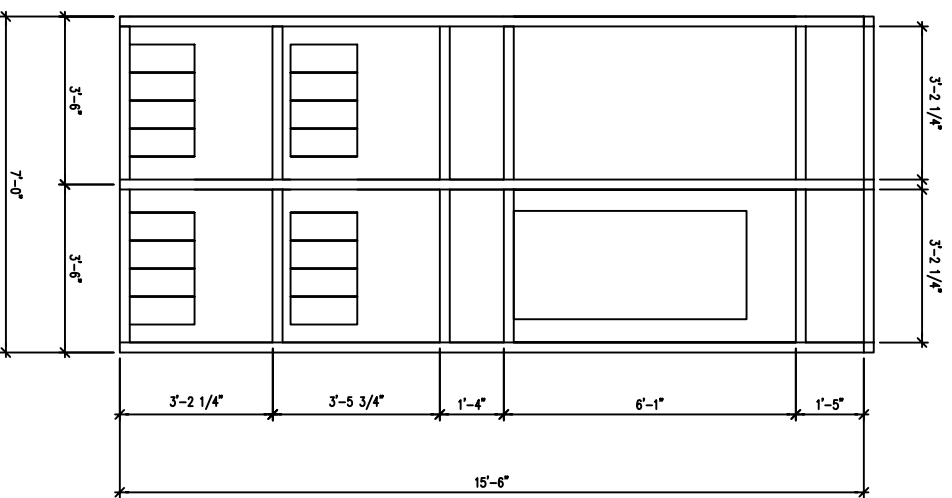
NORTHWEST ISO

SCALE: NTS



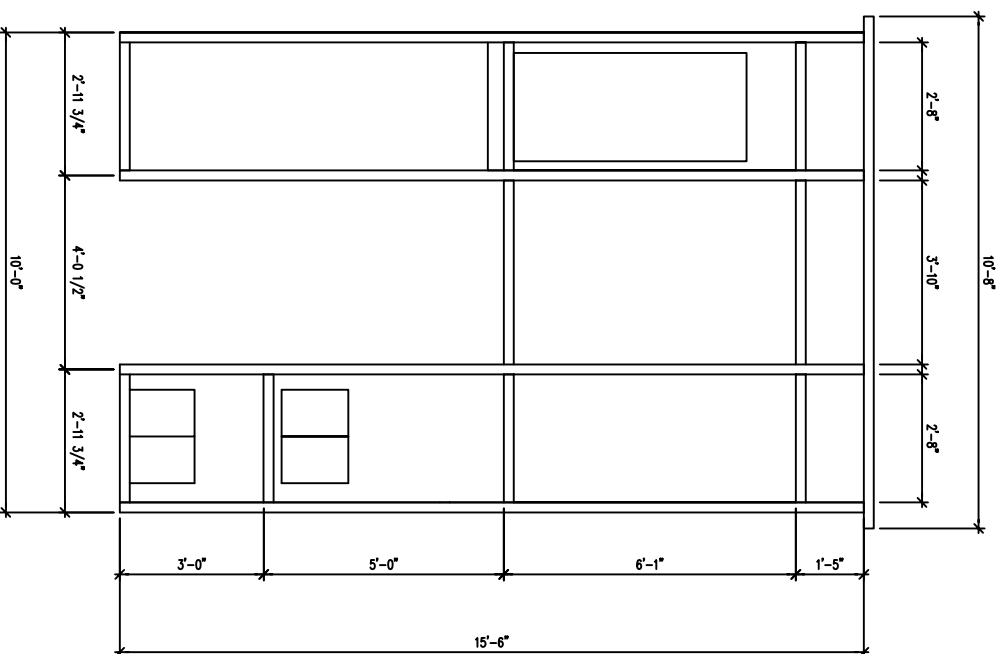
SOUTH ELEVATION

SCALE: 1/4" = 1' - 0"



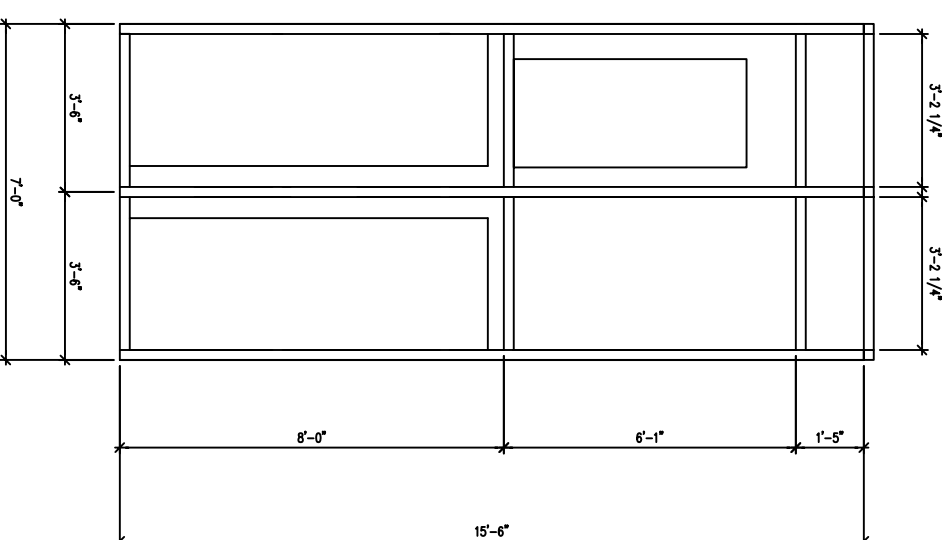
WEST ELEVATION

SCALE: 1/4" = 1' - 0"



NORTH ELEVATION

SCALE: 1/4" = 1' - 0"



EAST ELEVATION

SCALE: 1/4" = 1' - 0"

REVISIONS BY

BASE +

Solar Decathlon House
University of Colorado

TECH POD

Checked

Date 9/26/02

Scale 1/4" = 1' - 0"

Drawn A&P&E

Job Decathlon

Sheet

S4

Of 4 Sheets