

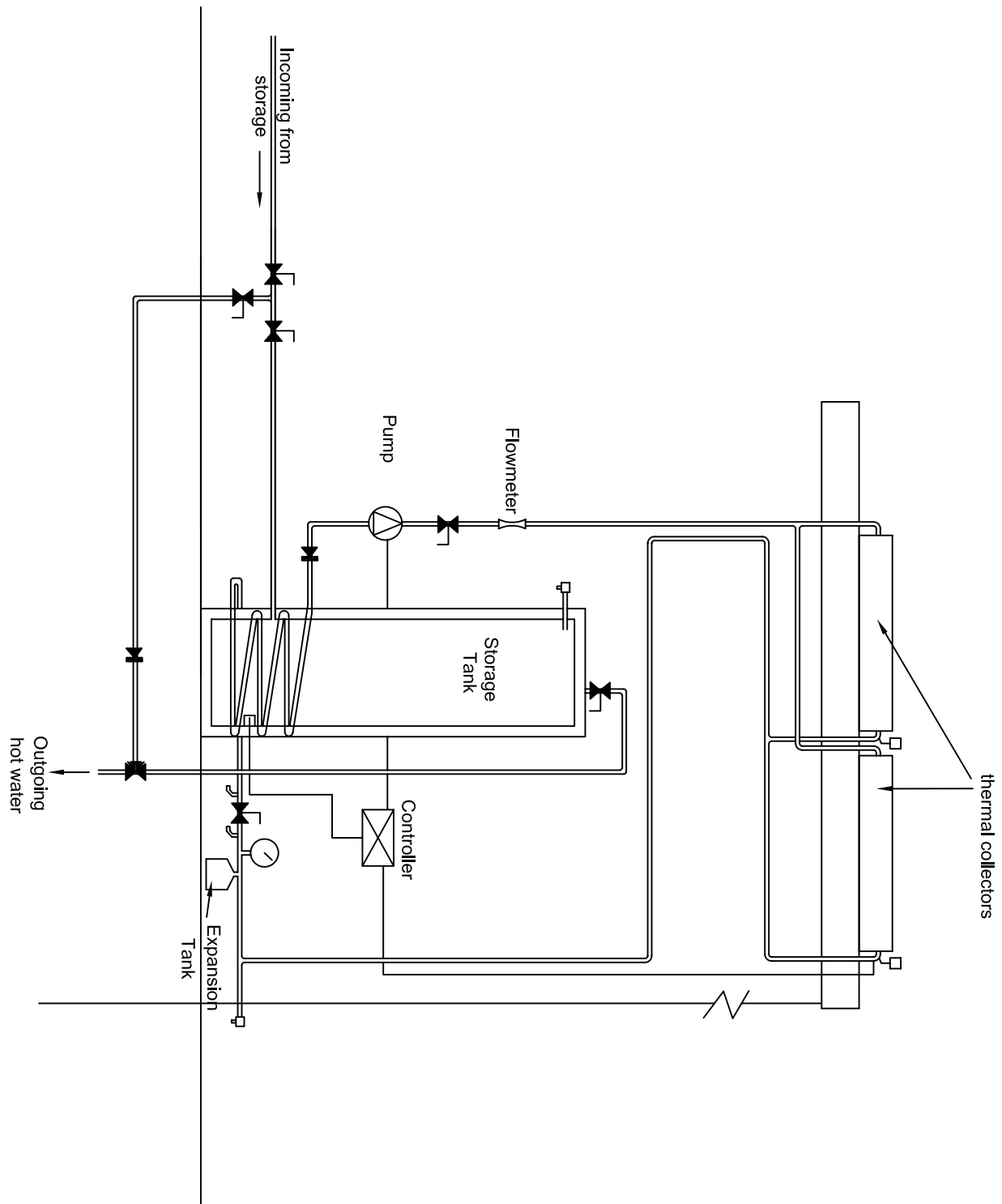

BASE +

Solar Decathlon House  
University of Colorado

SOLAR HOT WATER

Checked
Date 5/13/02
Scale NTS
Drawn A&P&E
Job Decathlon
Sheet
M 1
Of Sheets

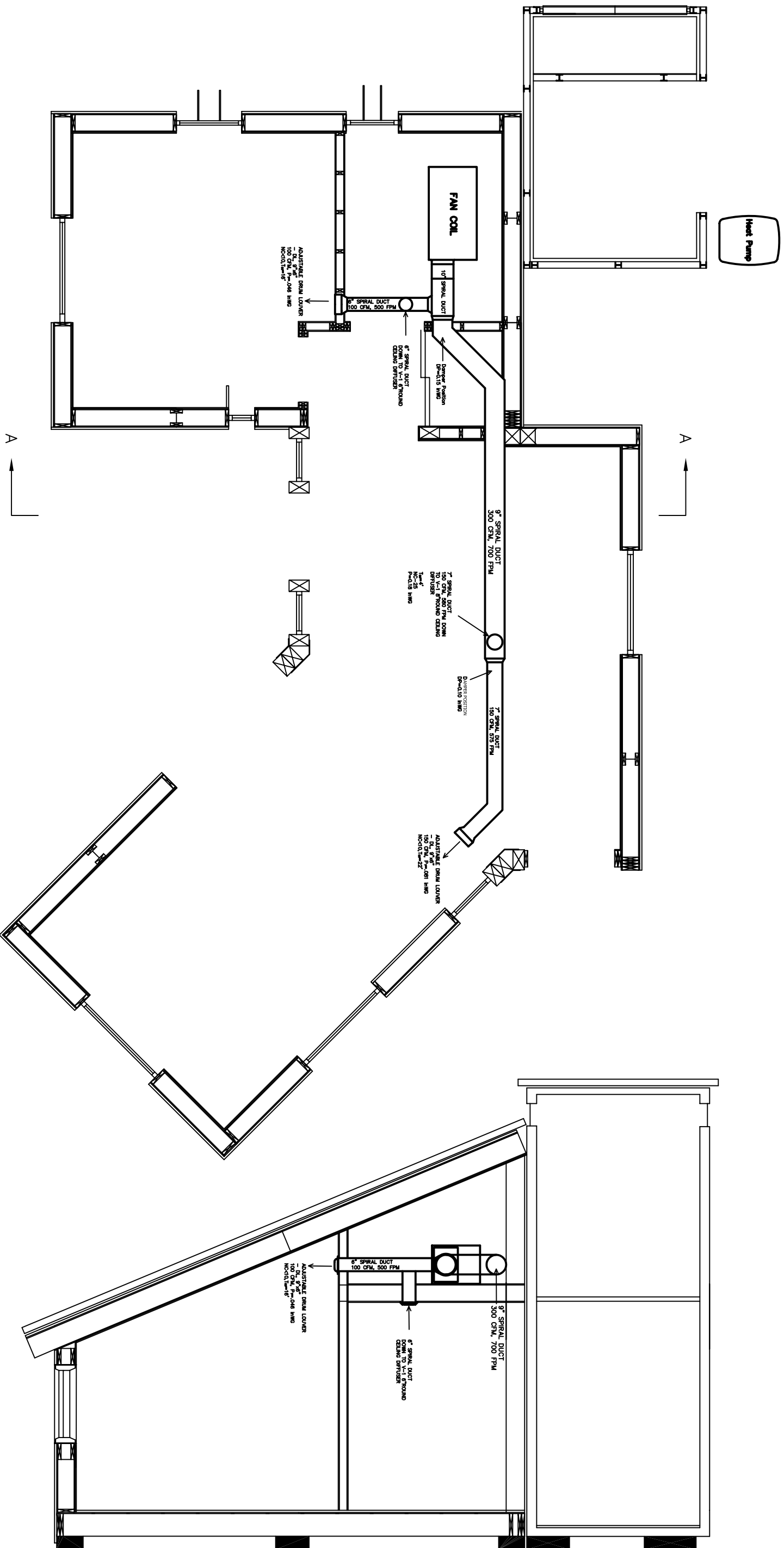
MECHANICAL SCHEDULE		
COMPONENT	MANUFACTURER MODEL NO.	SIZE
Pump	Grundfos ?	? GPM
Solar Collectors	Nippon Electric Glass Co. Suntube DP6-2800	117" L x 39" W
Storage Tank	Rheem Manufacturing Co. #81V80HE-1	80 GAL.
Expansion Tank	-	3/4 GAL. or Larger
Controller	Thermotechs.com SMT 400	-



Solar Thermal Schematic

Legend	
	Ball Valves
	Flow check valve
	Pressure gauge and relief valve
	pump
	Hose bibs for filling and flushing
	tempering valve
	Venturi Flowmeter
	Pressure Gauge
	Air Vent, Automatic

HVAC SCHEDULE				
COMPONENT	MANUFACTURER MODEL NO.	KW	SIZE	V/PH
HEAT PUMP	CARRIER 38YD8024301	2.3	22.5" W x 27.5" L 33-13/16" H	208/230-1
FAN COIL	CARRIER FV4ANFD02	0.95	42.7" W x 22.1" L 17.625" H	208/230-1



SECTION A-A

REVISIONS BY

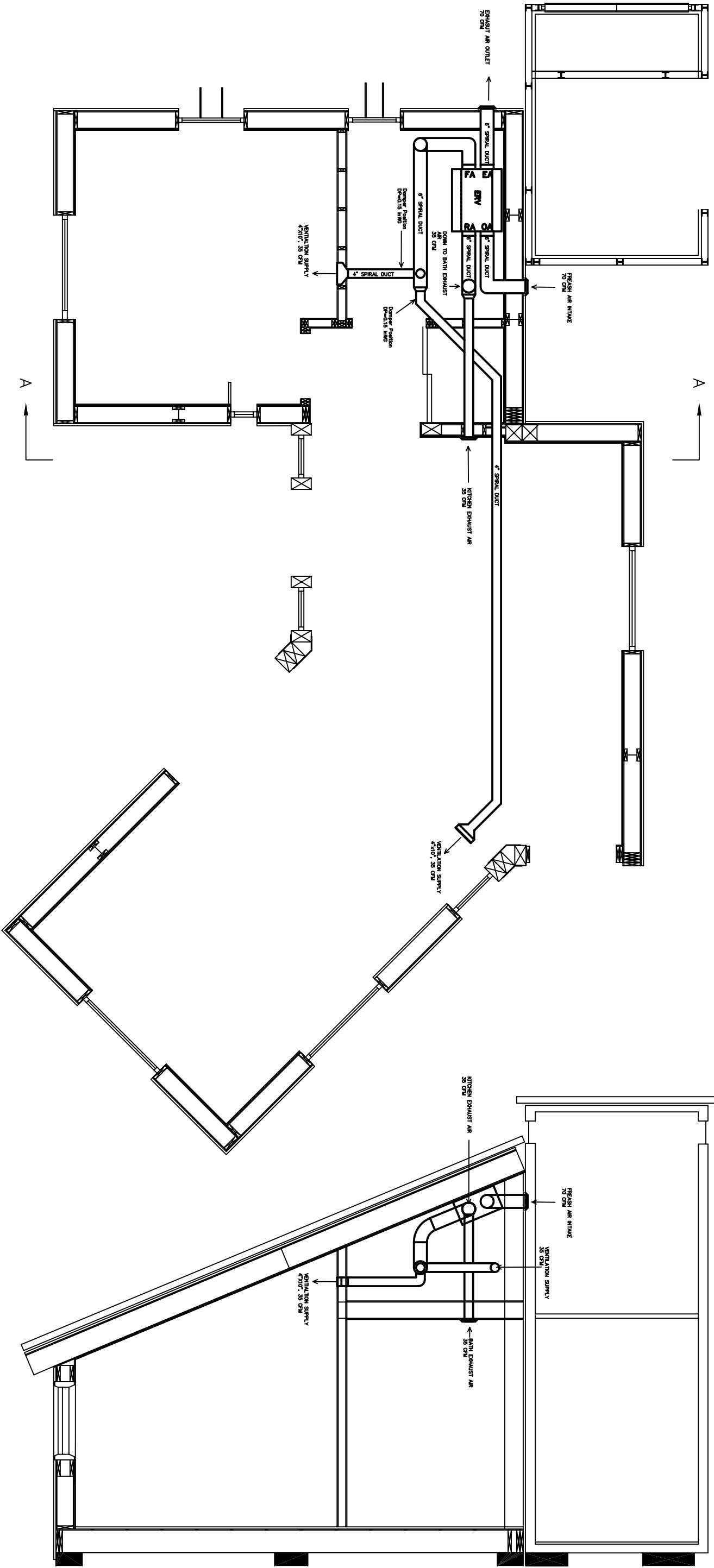
BASE +

Solar Decathlon House  
University of Colorado

AC EQUIPMENT

Checked	Date	Scale	Drawn	Job
	9/26/02	1/4" = 1'-0"	A&P&E	DECATHLON
Sheet	M2			
of	Sheets			

ERV SCHEDULE			
MANUFACTURER	WATTS	SIZE	V/PH/HZ
MODEL NO.	124	21" W x 32" L	
RENEWAIR		15-1/2" H	24 VDC
ERV130			



SECTION A-A

Checked Date 5/13/02 Scale 1/4" = 1'-0" Drawn A&P&E Job Decathlon	<b>Solar Decathlon House</b> University of Colorado	<b>BASE +</b>
<b>VENTILATION SYSTEM</b>		
<b>M 3</b> Sheet of Sheets		
		REVISIONS BY